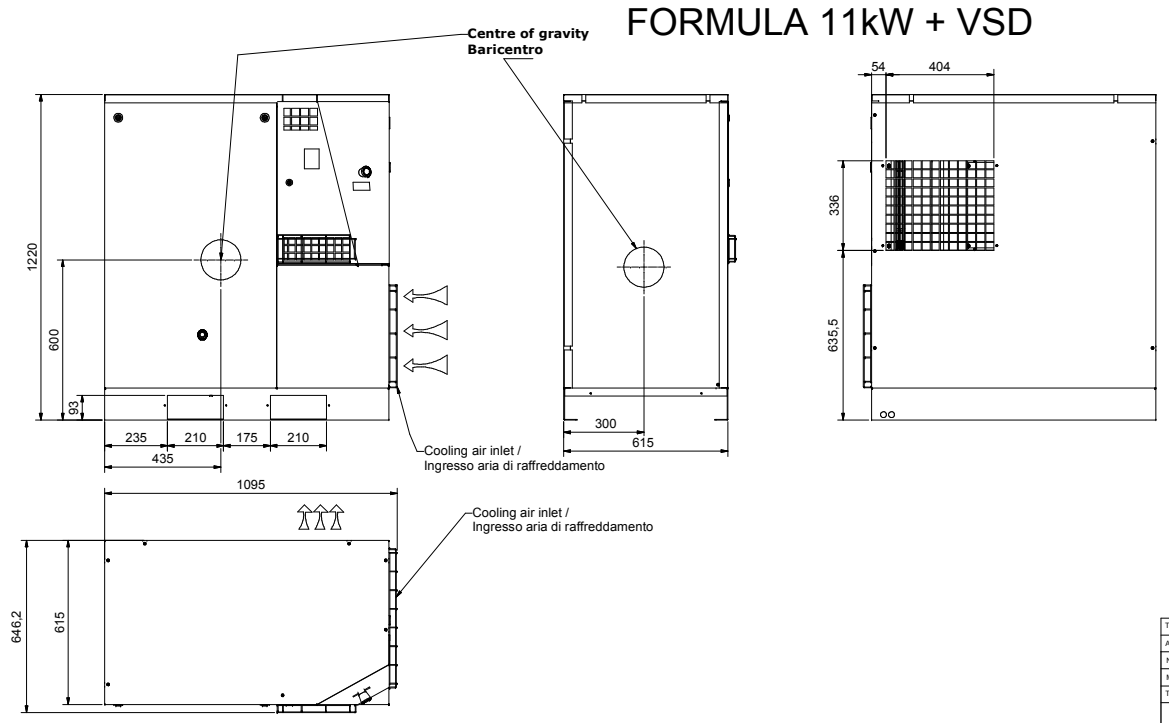
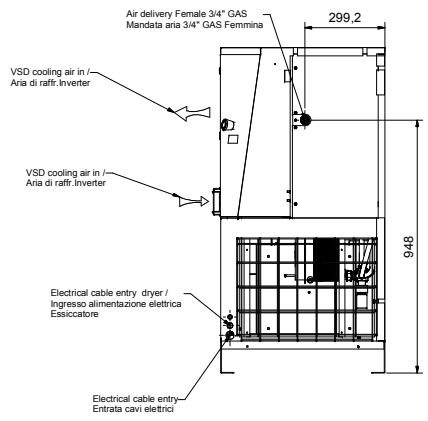
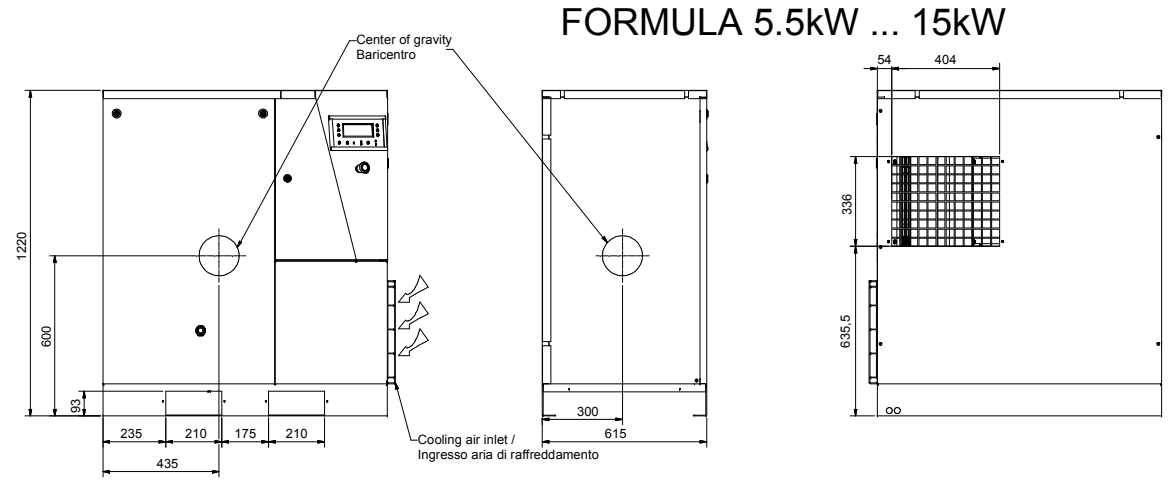
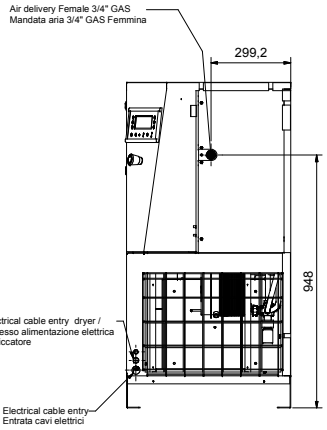


CONFIDENTIAL: This document is a property of Atlas Copco and its use is limited to the specific project for which it was prepared. It is not to be distributed outside the project team.



All materials supplied are in compliance with the requirements of the List of Prohibited Substances

Tolerances, if not indicated, according to:					
ATLAS COPCO STANDARD CLASS					
Name	-	Secretary Class	152 K / 2		
Material					
Treatment					
Scale	1:10	Family	AI	Compare	
Drawn by	afalone	Blank nr.		Replaces	
Version Dwg	30/00	Blank wt.	kg	591.120	kg
Des checked		Prod checked		Approved	[Date]
					2010/09/21

00.00			2010/09/21	
Ed	Posi- tion	Gewijzigd van Modified from	Datum Date	Ingr./Goedg. Inr./Appd.

9828493001	00.00
Parent 3D model	Ed - Version 3D

9828493001